



## SERIES 3006

Tact switches  
to 50 mA 28 V



▶ PAGE  
163 – 164

## SERIES 6425

Key switches  
to 100 mA 28 V



▶ PAGE  
165 – 170

## SERIES 6450

Key switches  
to 100 mA 28 V



▶ PAGE  
171 – 172

## SERIES 3000

Key switches  
to 30 mA 28 V



▶ PAGE  
173



# SERIES 3006 - TACT SWITCHES

TO 50 mA 28 V



## PRODUCT FEATURES

- Low height even with integrated LED
- SMD connection technique
- Pleasant actuating characteristic thanks to clearly tangible pressure point
- Extremely large actuator surface
- Six standard colors
- Two operating force variants
- Reflow lead-free solderable

## ON REQUEST

- Other LED colors
- Different brightness groups

<b>Mechanical life endurance</b>	50E4 4N version, 20E4 6N version
<b>Contact resistance (new condition)</b>	< 100 mOhm
<b>Ambient temperature</b>	-40 °C ... +95 °C (1 h to +120 °C)
<b>Material terminals</b>	gold plated
<b>Bounce time</b>	< 5 ms
<b>Packing unit</b>	1 800 pieces in blister belt on a roller
<b>Miscellaneous</b>	rating max. 1W voltage range 20 mV - 28 V current range 10 µA - 50 mA electrical life endurance: 4 N: 14V DC 10 mA 50E4 6 N: 14V DC 10 mA 20E4

ROCKER SWITCHES

PUSHBUTTON SWITCHES

TOGGLE SWITCHES

SLIDE SWITCHES

ROTARY SWITCHES

FOOT SWITCHES

TACT AND KEY SWITCHES

SNAP-ACTION SWITCHES

MICRO-SIGNAL SWITCHES

SENSORS



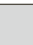
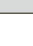





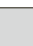


ECO

PUSH IN DRIVE



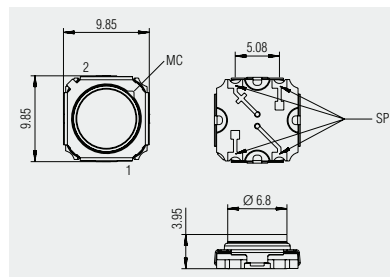
# SERIES 3006 - TACT SWITCHES

TO 50 mA 28 V

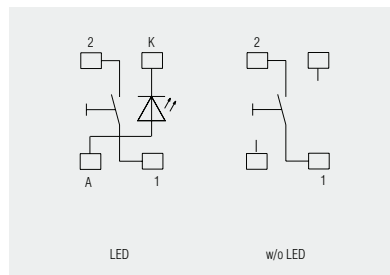
 single-pole	max 1 Watt	Contact material	Operating force (N)	Operating position (OP) (mm)	Free position (FP) max. (mm)	Permissible total travel position (TP) (mm)	Color lamp	Miscellaneous	Stock version
<b>Normally open contact (SPNO)</b>									
3006.2100	○	Au	4 +1 -0.5	3.2 ±0.2	4.15	2.9		without LED	
3006.2101	○	Au	4 +1 -0.5	3.2 ±0.2	4.15	2.9			
3006.2102	○	Au	4 +1 -0.5	3.2 ±0.2	4.15	2.9			
3006.2104	○	Au	4 +1 -0.5	3.2 ±0.2	4.15	2.9			
3006.2105	○	Au	4 +1 -0.5	3.2 ±0.2	4.15	2.9			
3006.2106	○	Au	4 +1 -0.5	3.2 ±0.2	4.15	2.9		LED white	
3006.2107	○	Au	4 +1 -0.5	3.2 ±0.2	4.15	2.9			
3006.2151	○	Au	4 +1 -0.5	3.2 ±0.2	4.15	2.9		low current consumption reduced brightness	
3006.2300	○	Au	6 +1.5 -0.75	3.2 ±0.2	4.15	2.9		without LED	
3006.2301	○	Au	6 +1.5 -0.75	3.2 ±0.2	4.15	2.9			
3006.2306	○	Au	6 +1.5 -0.75	3.2 ±0.2	4.15	2.9		LED white	



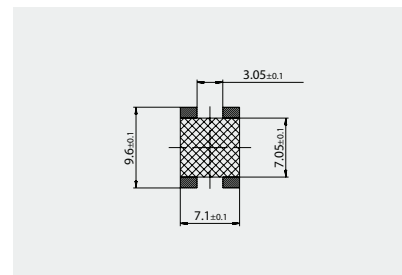
Basic type 3006



SMD connection technique



Circuit diagram with / without LED



Solder pad design

ROCKER SWITCHES

PUSHBUTTON SWITCHES

TOGGLE SWITCHES

SLIDE SWITCHES

ROTARY SWITCHES

FOOT SWITCHES

TACT AND KEY SWITCHES

SMAP-ACTION SWITCHES

MICRO-SIGNAL SWITCHES

SENSORS

ECO

PUSH/DRIVE



# SERIES 6425 - KEY SWITCHES

TO 100 mA 28 V



## PRODUCT FEATURES

- Single-pole normally open contact with and without LEDs
- Pleasant actuating characteristic and low actuation noise
- Low bounce time
- Standard with gold plated contacts
- Wide range of key caps for different design requirements

## ON REQUEST

- Customized key caps
- Other key cap colors
- Other LED colors
- Bicolor LED

Contact resistance (new condition)	< 250 mOhm
Insulation resistance (new condition)	> 100 MOhm
Bounce time	< 5 ms
Contact distance	< 3 mm
Ambient temperature	-20 °C ... +70 °C
Contact material	Au
Material actuator housing terminals	POM PBTP tinned
Terminal type	PCB terminal
Mechanical life endurance	1E6 at 10 mA 12 V
Flammability	UL 94 HB
Miscellaneous	The key base of the standard key can be snapped into a 1.2 mm thick frame with a cut-out of 13.55 x 13.55 mm. A current limiting to max. 20 mA must be provided for the integrated LED!

ROCKER SWITCHES

PUSHBUTTON SWITCHES

TOGGLE SWITCHES

SLIDE SWITCHES

ROTARY SWITCHES

FOOT SWITCHES

TACT AND KEY SWITCHES

SMAP-ACTION SWITCHES

MICRO-SIGNAL SWITCHES

SENSORS












ECO

PUSH/DRIVE



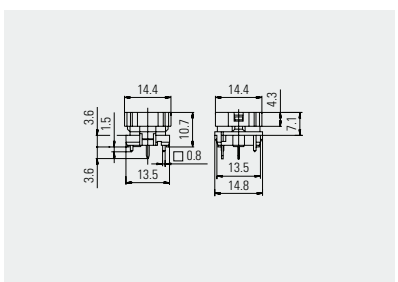
# SERIES 6425 - KEY SWITCHES

TO 100 mA 28 V

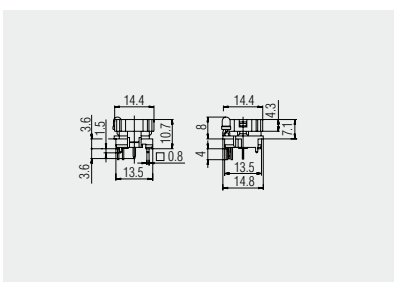
	100 mA 28 V	Color lamp	Pitch (mm)	Operating force (N)	Total travel / stroke (mm)	Miscellaneous	Stock version
<b>Normally open contact (SPNO)</b>							
6425.0101	○		> 16	0.7	1.4 ± 0.2	customer LED assembly possible	○
6425.1101	○		> 16	0.7	1.4 ± 0.2	narrow base for parallel guide	○
6425.3111	○		19	0.7	1.4 ± 0.2		○
6425.3121	○		19	0.7	1.4 ± 0.2		
6425.3131	○		19	0.7	1.4 ± 0.2		○
6425.4111	○		16	0.7	1.4 ± 0.2		○
6425.4121	○		16	0.7	1.4 ± 0.2		○
6425.4131	○		16	0.7	1.4 ± 0.2		○
6425.5111	○		16 + 19	0.7	1.4 ± 0.2	LED lower for button 834 900 ... and 835 900 ...	○
6425.5131	○		16 + 19	0.7	1.4 ± 0.2	LED lower for button 834 900 ... and 835 900 ...	○
6425.6111	○		> 15	0.7	1.4 ± 0.2	LED higher for key cap 827 ... 011	
6425.6131	○		> 15	0.7	1.4 ± 0.2	LED higher for key cap 827 ... 011	



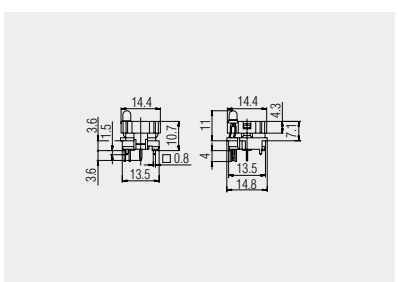
Basic type 6425



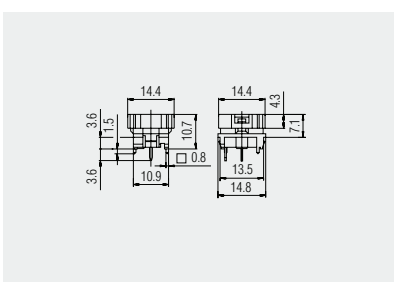
Without LED or customer LED assembly



With LED



With LED for design key caps



For multiple key caps with parallel guide

ROCKER SWITCHES

PUSHBUTTON SWITCHES

TOGGLE SWITCHES

SLIDE SWITCHES

ROTARY SWITCHES

FOOT SWITCHES

TACT AND KEY SWITCHES

SNAP-ACTION SWITCHES

MICRO-SIGNAL SWITCHES

SENSORS

ECO

PUSH/DRIVE

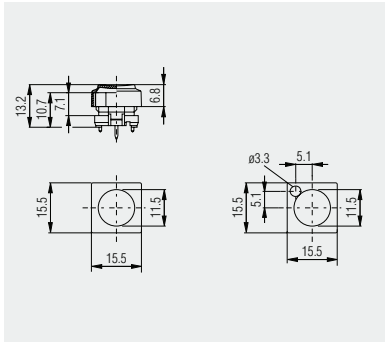


# SERIES 6425 - KEY SWITCHES

TO 100 mA 28 V



Square key caps  
pitch 16 mm

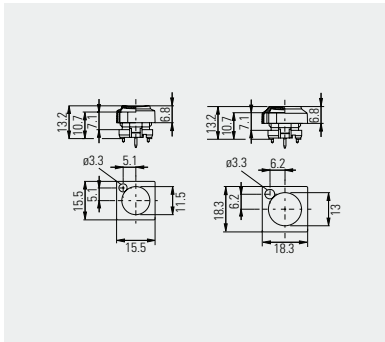


without LED window:  
826.000.011 - anthracite  
826.000.021 - dark gray  
826.000.071 - red

with LED window:  
829.000.011 - anthracite  
829.000.021 - dark gray



Square key caps  
pitch 19 mm

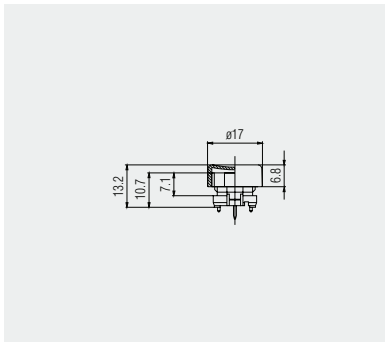


without LED window:  
825.000.011 - anthracite

with LED window:  
828.000.011 - anthracite  
828.000.021 - dark gray



Round key caps

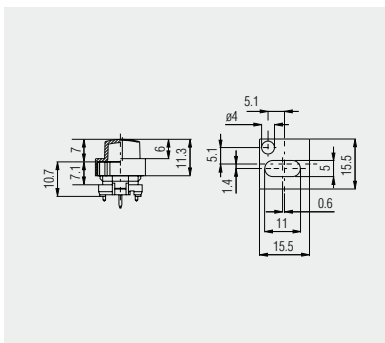


Key cap with ergonomic  
actuation surface

840.000.011 - anthracite  
840.000.021 - dark gray  
840.000.071 - red



Design key caps



Key cap with oval actuation surface  
pitch 16 mm

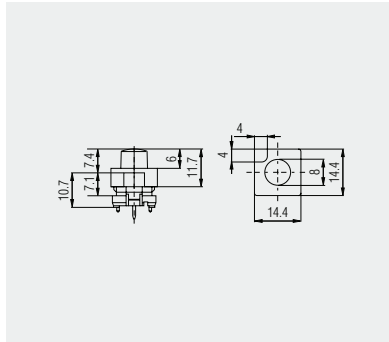
827.020.011 - anthracite  
827.020.021 - dark gray

ROCKER SWITCHES  
PUSHBUTTON SWITCHES  
TOGGLE SWITCHES  
SLIDE SWITCHES  
ROTARY SWITCHES  
FOOT SWITCHES  
TACT AND KEY SWITCHES  
SNAP-ACTION SWITCHES  
MICRO-SIGNAL SWITCHES  
SENSORS  
ECO  
PUSH/DRIVE



# SERIES 6425 - KEY SWITCHES

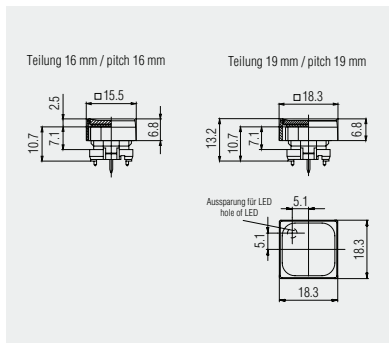
TO 100 mA 28 V



Key cap with round actuation surface  
pitch  $\geq 15$  mm

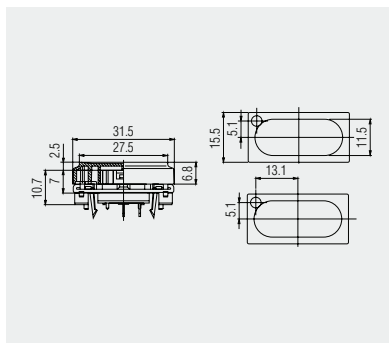
- 827.100.011 - anthracite
- 827.100.021 - dark gray
- 827.100.031 - gray

Design key caps



Key cap anthracite  
Cap transparent, enclosed loose  
834.900.013 pitch 19 mm  
835.900.013 pitch 16 mm  
Two-part key cap with snap-on  
transparent caps, individual labeling  
and color possibilities can be  
implemented at low cost by a  
customer inlay.  
For keys 6425.51xx with LED and  
6425.0101 without LED.

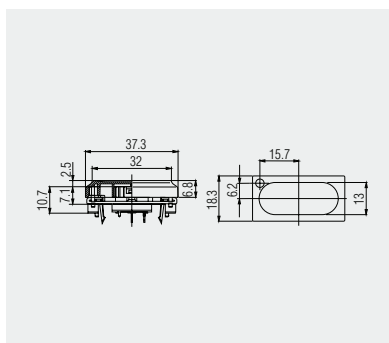
Key caps with transparent cap



without LED window:  
842.000.011 - anthracite  
842.000.021 - dark gray

with one LED window:  
842.500.011 - anthracite

Double key caps  
16 mm pitch



without LED window:  
844.000.011 - anthracite

with one LED window:  
844.500.011 - anthracite

Double key caps  
19 mm pitch

ROCKER SWITCHES

PUSHBUTTON SWITCHES

TOGGLE SWITCHES

SLIDE SWITCHES

ROTARY SWITCHES

FOOT SWITCHES

TACT AND KEY SWITCHES

SNAP-ACTION SWITCHES

MICRO-SIGNAL SWITCHES

SENSORS


ECO

PUSH/DRIVE

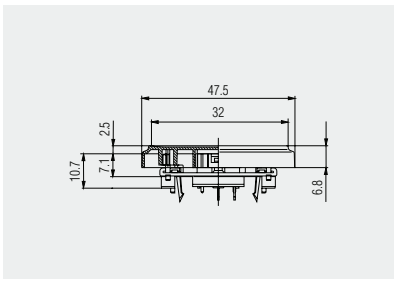


# SERIES 6425 - KEY SWITCHES

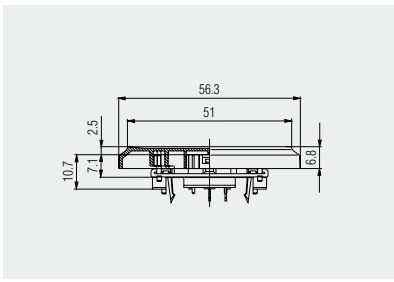
TO 100 mA 28 V




Triple key caps



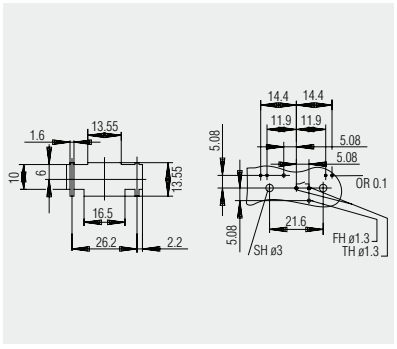
843.000.011 - anthracite  
pitch 16 mm



845.000.011 - anthracite  
pitch 19 mm




Parallel guide

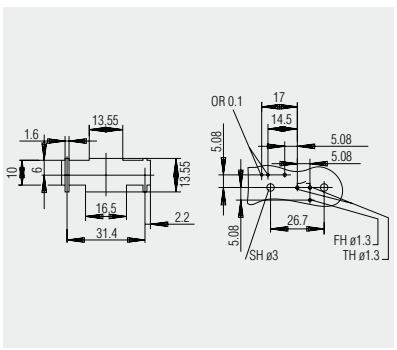


190.059.013  
Recommended appliance cut-out and perforation pattern component side parallel guide for:  
double key caps, pitch 16 mm

The parallel guide guarantees an optimum function even in case of off-center actuation and can be equipped additionally with one or two LEDs.



Parallel guide



190.059.023  
Recommended appliance cut-out and perforation pattern component side parallel guide for:

triple key caps, pitch 16 mm  
double key caps, pitch 19 mm  
triple key caps, pitch 19 mm

The parallel guide can be equipped additionally with a LED.

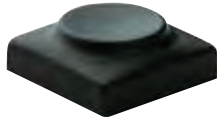
ROCKERSWITCHES  
 PUSHBUTTON SWITCHES  
 TOGGLE SWITCHES  
 SLIDE SWITCHES  
 ROTARY SWITCHES  
 FOOT SWITCHES  
**TACT AND KEY SWITCHES**  
 SNAP-ACTION SWITCHES  
 MICRO-SIGNAL SWITCHES  
 SENSORS  
 ECO  
 PUSH IN DRIVE





# SERIES 6425 - KEY SWITCHES

TO 100 mA 28 V

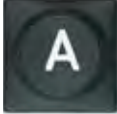















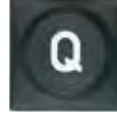


















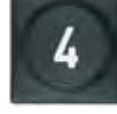


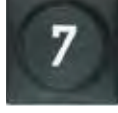




Square key caps with white characters

Please complete the reference numbers by the three figures below the respective character.

Basic reference numbers for pitch 16 mm:  
826 ... 011 - anthracite

Other key cap colors and characters on request.

					
051	052	053	054	055	056
					
057	058	059	060	061	062
					
063	064	065	066	067	068
					
069	070	071	072	073	074
					
075	076				
					
017	018	022	023	170	
					
010	001	002	003	004	
					
005	006	007	008	009	

ROCKER SWITCHES

PUSHBUTTON SWITCHES

TOGGLE SWITCHES

SLIDE SWITCHES

ROTARY SWITCHES

FOOT SWITCHES

TACT AND KEY SWITCHES

SNAP-ACTION SWITCHES

MICRO-SIGNAL SWITCHES

SENSORS

ECO

PUSH/DRIVE



# SERIES 6450 - KEY SWITCHES

TO 100 mA 28 V



## PRODUCT FEATURES

- Single-pole normally open contact with key cap
- Narrow design with proven switching principle of series 6425
- Pleasant actuating characteristic and low actuation noise
- Low bounce time
- Long life endurance
- Standard with gold plated contacts

## ON REQUEST

- Other key cap colors
- Labeled key caps

Contact resistance (new condition)	< 250 mOhm
Insulation resistance (new condition)	> 100 MOhm
Contact material	Au
Contact distance	< 3 mm
Bounce time	< 5 ms
Ambient temperature	-20 °C ... +80 °C
Material actuator housing terminals	PA PBTP tinned
Terminal type	PCB terminal
Mechanical life endurance	1E6 bei 10mA 12V

ROCKER SWITCHES

PUSHBUTTON SWITCHES

TOGGLE SWITCHES

SLIDE SWITCHES

ROTARY SWITCHES

FOOT SWITCHES

TACT AND KEY SWITCHES

SMAP-ACTION SWITCHES

MICRO-SIGNAL SWITCHES

SENSORS

ECO

PUSH IN DRIVE





# SERIES 3000 - KEY SWITCHES

TO 30 mA 28 V

## PRODUCT FEATURES


- With one or two normally open contacts switching in sequence
- By separating the mechanical and electrical components, a high contact reliability and excellent actuating characteristic are achieved
- Terminals sealed
- For direct or indirect actuation

## ON REQUEST

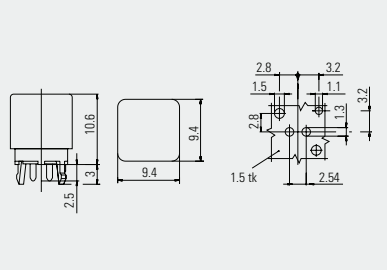
- Available with centrally placed LED (only version with a pressure point)
- Different key caps

Mechanical life endurance	1E5 2E4 (basic type 3003 - two pressure points)
Ambient temperature	-40 °C ... +85 °C
Material actuator housing terminals	PC / POM PA glass fiber-reinforced tinned
Contact material	Au CuSn gold-plated
Contact distance	< 3 mm

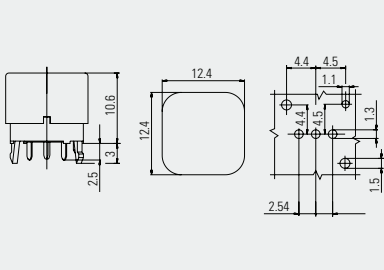
	30 mA 28 V	Terminal type	Operating force (N)	Operating position (OP) (mm)	Free position (FP) max. (mm)	Permissible total travel position (TP) (mm)	Miscellaneous	Stock version
<b>Normally open contact (SPNO)</b>								
3000.0452	○	U	5 - 7	9.8 +0.3 -0.2	10.9	9.2		
<b>Double normally open contact (SPNO)</b>								
3003.0452	○	U	5 - 7	9.8 +0.3 -0.2	10.9	8.6	operating force 2: 11 - 14 N operating position 2: 8.9 +0.3 -0.2	



Basic types 3000 and 3003



Normally open contact with one pressure point  
3000.0452



Double normally open contact with two pressure points  
3003.0452

ROCKER SWITCHES  
PUSHBUTTON SWITCHES  
TOGGLE SWITCHES  
SLIDE SWITCHES  
ROTARY SWITCHES  
FOOT SWITCHES  
TACT AND KEY SWITCHES  
SMP-ACTION SWITCHES  
MICRO-SIGNAL SWITCHES  
SENSORS  
ECO  
PUSH IN DRIVE